

Secure Safe Professional S1

for protection of documents, cash and valuables

Looking for a European certified safe for storing documents together with cash and valuables in a secure way? Look no further.

The Secure Safe Professional is designed to protect cash and valuables from the threat of theft. Items recommended for storage include cash, jewellery, passports and laptops, to name a few. For at home or in any business environment, the Secure Safe Professional range offers a high security and is tested and certified to ECB•S (European Certification Board•Security Systems).

Models

The Secure Safe Professional S1 is available in five models, all designed to hold cash and valuables and to store documents.

Construction

The Professional S1 range is constructed with an 8 mm solid steel door and 3 mm steel body. Increased security is achieved by manganese steel plates which protect lock, bolt-work and bolts against drilling. The durable bolt-work has 2 or 4 bolts, which are chrome plated and have a diameter of 25 mm.

Locking

The safes are offered with a Mauer President double bitted key lock or Mauer Code Combi K electronic PIN-code lock (both Class A, EN 1300 / ECB•S approved).

Certification

The Secure Safe Professional S1 is tested and certified to Security Class S1 (EN 14450 / ECB•S).

Additional features

The safes can be fixed to the floor or wall using the included fixing kit. In addition the safes are supplied with a removable shelf as standard (except model 18).

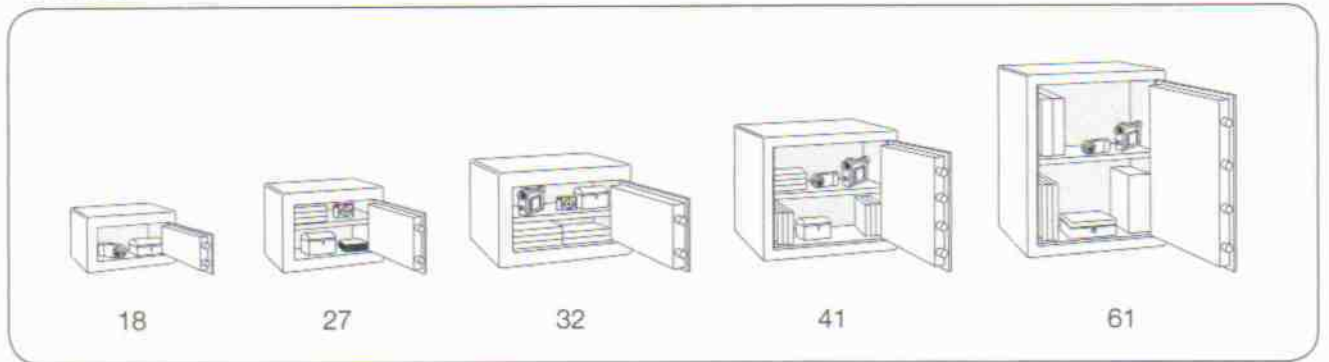
Design

The Professional range has modern styling and will complement any user environment. The safes are in two-tone colour powder coated finish; light grey and dark grey. The electronic lock is supplied in black.



Secure Safe Professional S1

Models



SLGB.1016.R3

Product data

Key lock

Model	Article No.	External dimensions (mm)			Internal dimensions (mm)			Volume (litres)	Weight (kg)	Shelf (qty)	Bolts (qty)
		Height	Width	Depth	Height	Width	Depth				
PS1-18K	SL03300	180	310	205	170	300	150	8	12	-	2
PS1-27K	SL03301	270	350	345	260	340	280	26	25	1	2
PS1-32K	SL03302	320	440	395	310	430	330	44	35	1	2
PS1-41K	SL03304	410	460	395	400	450	330	60	43	1	4
PS1-61K	SL03305	610	460	395	600	450	330	90	57	1	4

Electronic lock

Model	Article No.	External dimensions (mm)			Internal dimensions (mm)			Volume (litres)	Weight (kg)	Shelf (qty)	Bolts (qty)
		Height	Width	Depth	Height	Width	Depth				
PS1-27E	SL03307	270	350	345	260	340	280	26	25	1	2
PS1-32E	SL03308	320	440	395	310	430	330	44	35	1	2
PS1-41E	SL03310	410	460	395	400	450	330	60	43	1	4
PS1-61E	SL03311	610	460	395	600	450	330	90	57	1	4

SecureLine policy is one of constant improvement. The above specification may therefore be altered without prior notification.

www.Secure-Line.net

Authorised dealer: