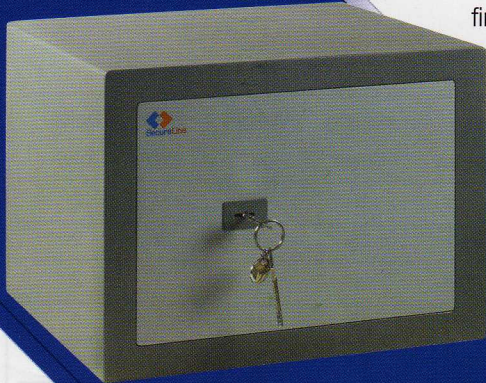


Secure Safe Trend II

for protection of documents, cash and valuables

Looking for a combined safe for storing documents together with cash and valuables in a secure way? Look no further.

The Secure Safe Trend II is designed to protect any valuable goods against burglary. Furthermore the Trend II range is provided with insulation material which offers fire protection. Items recommended for storage include cash, jewellery, passports, contracts, photographs, and digital cameras to name a few. For at home or in any business environment, the Secure Safe Trend II range offers effective security at an affordable price.



Models

The Secure Safe Trend II is available in six models, all designed to hold cash and valuables and to store documents. For storing binders we recommend model 44 in which the binders can be stored vertically.

Construction

The Trend II range has a double wall construction, 3 mm external and 2 mm internal and an 8 mm solid steel door. Filled with insulation material the Trend II range offers in addition fire protection in accordance with DIN 4102. Increased security is achieved by hardened steel plates which protect the lock, bolt-work and bolts against drilling. The durable bolt-work has 2 or 4 bolts, which are chrome plated and have a diameter of 25 mm.

Locking

The safes are offered with a double bitted key lock or electronic PIN-code lock (6 digits) with a LCD-display. The electronic lock version is additionally equipped with a mechanical override in case of emergency opening is necessary.

Additional features

The safes can be fixed to the floor or wall using the included fixing kit. In addition the safes are supplied with a removable shelf as standard (except model 18).

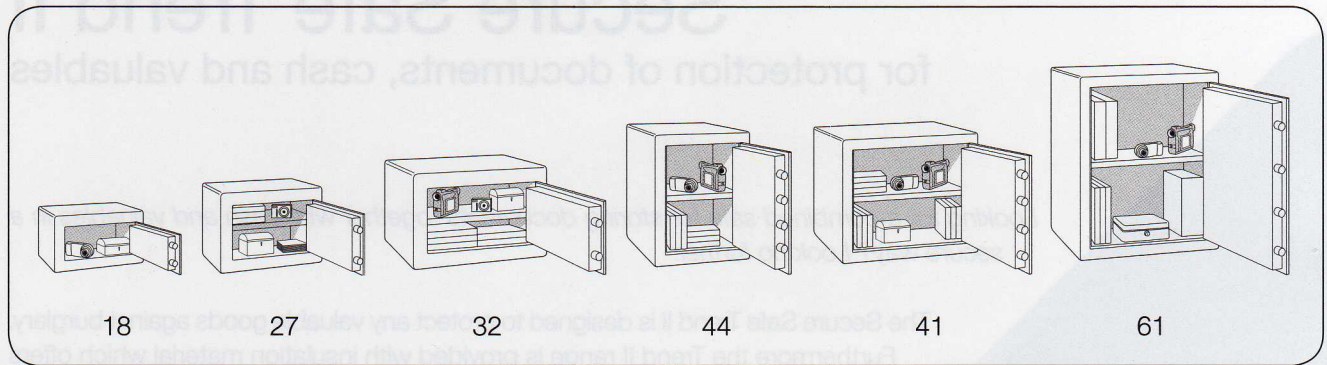
Design

The Trend range has modern styling and will complement any user environment. The safes are in two-tone colour powder coated finish; light grey and dark grey.



Secure Safe Trend II

Models



SLGB.1004.R5

Product data

Key lock

| Model | Article No. | External dimensions (mm) | | | Internal dimensions (mm) | | | Volume (litres) | Weight (kg) | Shelf (qty) | Bolts (qty) |
|---------|-------------|--------------------------|-------|-------|--------------------------|-------|-------|-----------------|-------------|-------------|-------------|
| | | Height | Width | Depth | Height | Width | Depth | | | | |
| TII-18K | SL02500 | 180 | 310 | 205 | 100 | 230 | 110 | 3 | 16 | – | 2 |
| TII-27K | SL02501 | 270 | 350 | 345 | 190 | 270 | 250 | 13 | 28 | 1 | 2 |
| TII-32K | SL02502 | 320 | 440 | 395 | 240 | 360 | 300 | 26 | 45 | 1 | 2 |
| TII-44K | SL02503 | 440 | 320 | 395 | 360 | 240 | 300 | 26 | 45 | 1 | 4 |
| TII-41K | SL02504 | 410 | 460 | 395 | 330 | 380 | 300 | 38 | 54 | 1 | 4 |
| TII-61K | SL02505 | 610 | 460 | 395 | 530 | 380 | 300 | 60 | 73 | 1 | 4 |

Electronic lock

| Model | Article No. | External dimensions (mm) | | | Internal dimensions (mm) | | | Volume (litres) | Weight (kg) | Shelf (qty) | Bolts (qty) |
|---------|-------------|--------------------------|-------|-------|--------------------------|-------|-------|-----------------|-------------|-------------|-------------|
| | | Height | Width | Depth | Height | Width | Depth | | | | |
| TII-27E | SL02507 | 270 | 350 | 345 | 190 | 270 | 250 | 13 | 28 | 1 | 2 |
| TII-32E | SL02508 | 320 | 440 | 395 | 240 | 360 | 300 | 26 | 45 | 1 | 2 |
| TII-44E | SL02509 | 440 | 320 | 395 | 360 | 240 | 300 | 26 | 45 | 1 | 4 |
| TII-41E | SL02510 | 410 | 460 | 395 | 330 | 380 | 300 | 38 | 54 | 1 | 4 |
| TII-61E | SL02511 | 610 | 460 | 395 | 530 | 380 | 300 | 60 | 73 | 1 | 4 |

SecureLine policy is one of constant improvement. The above specification may therefore be altered without prior notification.

www.Secure-Line.net

Authorised dealer: